



Bharath Institute of Higher Education and Research

[Declared Under Section 3 of UGC Act, 1956]

Chennai – 600 073

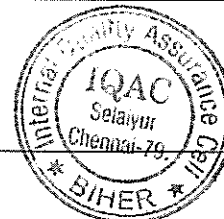
INTERNAL QUALITY ASSURANCE CELL (IQAC)

DOCUMENTS SUBMISSION FORM

| | |
|--------------------|--|
| Date of Submission | 13.10.17 |
| Type of Documents | Workshop |
| Description | Workshop on Electronic Applications in Automotive Technology |
| Enclosures | a) Circular |
| | b) Requisition Letter |
| | c) Brochure |
| | d) Registration |
| | e) Photos |
| | f) Certificate |
| | g) Feedback Form |
| No. of Pages | |
| Submitted By | Name : Dr. V. Jayalakshmi |
| | Designation : Associate Professor |
| | Department : Department of EEE |
| | Signature : <i>V. Jayalakshmi</i> |

For Office Use Only

| | | | |
|--------------|--|--------------------------|----------------|
| Received By: | <i>K. Sakthivel</i> | Sign: <i>[Signature]</i> | Date: 13/10/17 |
| Verified By: | <i>K. Sakthivel</i> | Sign: <i>[Signature]</i> | Date: 13/10/17 |
| Uploaded By: | <i>K. S. Senthil Kumar</i> | Sign: <i>[Signature]</i> | Date: 14/10/17 |
| File Name: | <i>SEEE - EEE - WORK - 2017 - 2018 - 004</i> | | |



[Signature]
Director
IQAC - BIHER



Bharath

INSTITUTE OF HIGHER EDUCATION AND RESEARCH

(Declared as Deemed-to-be University under section 3 of UGC Act, 1956)
(Vide Notification No. F.9-5/2000 - U.3, Ministry of Human Resource Development, Govt. of India, dated 4th July 2002)



Phone : 044-22290742 / 22290125 . Telefax : 044-22293886
Website : www.bharathuniv.ac.in

173, Agaram Road, Selaiyur, Tambaram,
Chennai - 600 073. Tamil Nadu.

Ref: BIHER/BIST/EEE/Event/2017/04

Date: 15.9.17

CIRCULAR

Two days workshop on “**Workshop on Electronic Applications in Automotive Technology**” is planned by the School of Electrical Engineering from **22.9.17 - 23.9.17**.

The workshop is offered by Department of Electrical & Electronics Engineering, Bharath Institute of Higher Education and Research. In this regard, students/scholars are instructed to give their willingness and confirm their participation to their class In charge/ Event Coordinator before **22.9.17**.

Contact:

Dr. V. Jayalakshmi

Associate Professor/School of Electrical Engineering
Event Coordinator

Bharath Institute of Higher Education and Research

Email Id: jayalakshmi.eee@bharathuniv.ac.in

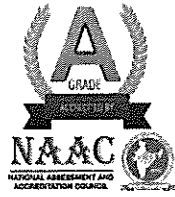



HoD/EEE



Bharath

INSTITUTE OF HIGHER EDUCATION AND RESEARCH
(Declared as Deemed - to - be - University under section 3 of UGC Act 1956)



REQUISITION LETTER

12.9.17

From

The Head of the Department,
Department of Electrical & Electronics Engineering
Bharath Institute of Higher Education and Research
Selaiyur-Chennai- 73

To

The Dean Engineering
Bharath Institute of Higher Education and Research
Selaiyur-Chennai- 73

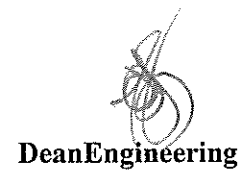
Respected Sir,

Subject: Requisition for conducting two days workshop.

The school of Electrical Engineering has planned to conduct a two days workshop on “**Workshop on Electronic Applications in Automotive Technology**” from **22.9.17 - 23.9.17**. In connection with this, I kindly request you to grant permission for conducting the same.

Thanking You


HOD/ EEE


Dean Engineering

DEAN
BHARATH INSTITUTE OF HIGHER EDUCATION & RESEARCH
(Declared as Deemed to be University U/s 3 of UGC Act. 1956)
Chennai-600 073. INDIA.

Two Days Workshop

On

“Workshop on Electronic Applications in
Automotive Technology”

22.9.17 - 23.9.17

Registration form

Name:

Designation:

Affiliation /Organization:

Postal Address:

Email Id:

Mobile Number:

Signature of the Applicant

Chief Patron

Dr.S.Jagathrakshagan, M.P,

Founder/Chairman

Patrons

Dr.Sundeeep Anand,

President/BIHER

Dr.Swetha Sundeeep Anand,

MD/BIHER

Dr.S.Prakash,

HOD/Convener,

Department of Electrical and

Electron Engineering

Importance Dates

Last date of Registration:12.9.17

Confirmation of Acceptance:15.9.17

Address for correspondence

Dr.V.Jayalakshmi

Mobile:9940114425

Email

Id:Jayalakshmi.eee@bharathuniv.ac.in



Bharath
INSTITUTE OF HIGHER EDUCATION AND RESEA
Research Institute Deemed-to-be University, established by UGC, A.

TWO DAYS WORKSHOP

ON

**“Electronic Applications in
Automotive Technology”**

22.9.17 - 23.9.17

Organized by

Department of EEE,
School of Electrical Engineerin
BHARATH INSTITUTE OF SCIEN
AND TECHNOLOGY
Chennai - 600073

About the college:

Bharath Institute of Higher Education and Research (BIHER) is providing multi-stream, multi-cultural and high quality education to nearly 10000 students from around the world. Bharath Institute of Science and Technology (BIST) started with Sri Lakshmi Ammal Educational Trust as the first Self Financing Engineering College in Tamil Nadu in 1984 by Dr.Jagathrakshagan.It is functioning in a sprawling area of 305 Acres of land located in 6 Campuses both in Tamil Nadu and Pudhucherry with thestate of the art infrastructure facilities. There are well qualified Teaching Faculty members to teach UG and PG programmes and to guide Ph.D.Research.

About the Department:

The Department of Electrical and Electronics Engineering. Bharath university started in the year 1992. It offers one Under-Graduate programmer (B.Tech.), two Post-Graduate programs (M.Tech. in Power Systems and M.Tech. in Power Electronics) and also research programs (Ph.D.) in the various fields of Electrical and Electronics Engineering. After the Institute became Deemed University, the Department has grown not only in terms of student and faculty strength, but also in improving the laboratory facilities for the teaching and research purposes. Those the department has dedicated and state of the art teaching /research laboratories. The department is recognized for excellence in research, teaching and service to the nation.

THE OBJECTIVE:

Workshop on Electronic Applications in Automotive Technology is a subdiscipline in the field of Engineering & Technology which focuses on designing new vehicles or finding ways to improve the current machine technology and systems. The future definitely looks bright for the automotive industry, as engineers continue to develop the next generation of hybrid cars while standing at the forefront of innovations like flying or self-driving vehicles. Automotive Engineering courses combine tools and methods used in Mechanical, Electrical, Electronic, Safety and Software Engineering. These instruments allow engineers to integrate functionality, safety, and aesthetic in order to create perfect driving machines. In an effort to reduce carbon dioxide emissions.

This workshop focuses on the following Areas:

Day 1: Tools and methods used in Mechanical, Electrical, Electronic, Safety and Software Engineering
Day 2: Design, research and development, testing and quality control, or the production of vehicles and automotive components

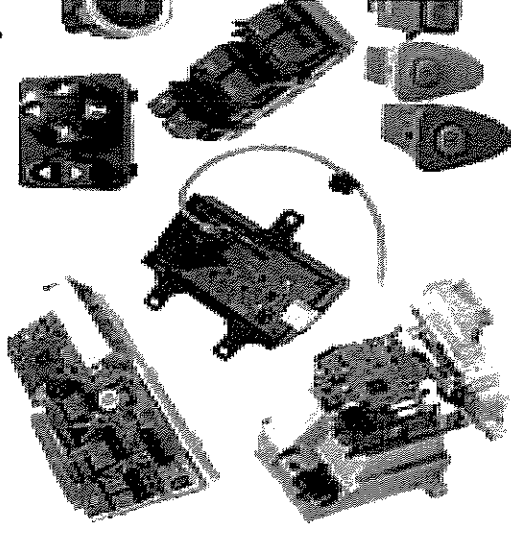
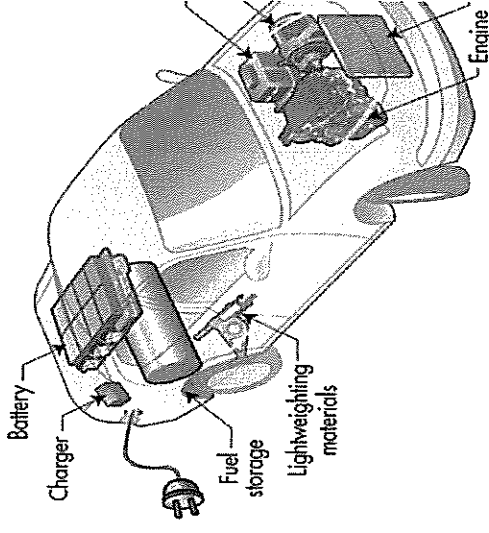
Eligibility:

Faculty members, Research Scholars, UG & PG Students

RESOURCE PERSON:

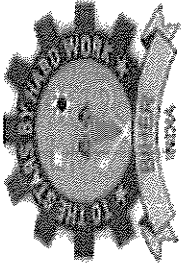
Mr. M. Rajeshkumar
Commissioning Engineer

FLSMIDTH



Workshop On Electronic Applications In Automotive Technology





Shriharsh
INSTITUTE OF HIGHER EDUCATION AND RESEARCH
(Declared as Deemed - to - be - University under section 3 of UGC Act 1956)



SCHOOL OF ELECTRICAL ENGINEERING

CERTIFICATE OF PARTICIPATION

This is to certify that HITESH SINGH RANA of G.K.M. College Of Engineering And Technology has attended Two days workshop on “Workshop on Electronic Applications in Automotive Technology” organized by the School of Electrical Engineering, BIHER conducted from 22/09/17 to 23/09/2017.

V. Pyarelal
EVENT COORDINATOR

[Signature]
HOD/EEE

BHARATH INSTITUTE OF HIGHER EDUCATION AND RESEARCH
DEPARTMENT OF ELECTRICAL AND ELECTRONICS ENGINEERING

“Workshop on Electronic Applications in Automotive Technology”

Date: 22/09/17 to 23/09/2017

LIST OF PARTICIPANTS

| Sl.No | Name of the Participant | College |
|--------------|------------------------------------|--|
| 1. | A.BHUVANESWARI | SRR ENGINEERING COLLEGE |
| 2. | A.HEMA CHANDER | SRR ENGINEERING COLLEGE |
| 3. | A.PADMAJA | SRR ENGINEERING COLLEGE |
| 4. | AARTI NAIK | SRR ENGINEERING COLLEGE |
| 5. | ABDUL HAMEED ABDUL RAZZAQUE ANSARI | SRR ENGINEERING COLLEGE |
| 6. | BIBHU PRASAD SWAIN | SRR ENGINEERING COLLEGE |
| 7. | BRIJESH KUMAR | SRI SAI RAM INSTITUTE OF TECHNOLOGY |
| 8. | D JAGAN | SRI SAI RAM INSTITUTE OF TECHNOLOGY |
| 9. | DARSHINI.K | SRI SAI RAM INSTITUTE OF TECHNOLOGY |
| 10. | DEBABRATO MUKHERJEE | SRI SAI RAM INSTITUTE OF TECHNOLOGY |
| 11. | DEEPAK MISHRA | SRI SAI RAM INSTITUTE OF TECHNOLOGY |
| 12. | CHANDANKUMAR | SRI SAI RAM INSTITUTE OF TECHNOLOGY |
| 13. | MEENAKSHI SHARMA | SRI SIVASUBRAMANIYA NADAR COLLEGE OF ENGINEERING |
| 14. | MORTHA SAI VEERRAJU | SRI SIVASUBRAMANIYA NADAR COLLEGE OF ENGINEERING |
| 15. | MRS.APARNA S.TELANG | SRI SIVASUBRAMANIYA NADAR COLLEGE OF ENGINEERING |
| 16. | MUKESH K KUMAWAT | SRI SIVASUBRAMANIYA NADAR COLLEGE OF ENGINEERING |
| 17. | PRERNA PATHAK CHOUBEY | SRI SIVASUBRAMANIYA NADAR COLLEGE OF ENGINEERING |
| 18. | SATYAVIR SINGH | SRI SIVASUBRAMANIYA NADAR COLLEGE OF ENGINEERING |
| 19. | KALAIARASI ARUMUGAM | SRI SAI RAM ENGINEERING COLLEGE |
| 20. | DR.P.M.BALASUBRAMANIAM | SRI SAI RAM ENGINEERING COLLEGE |
| 21. | GAURAV KAPOOR | SRI SAI RAM ENGINEERING COLLEGE |
| 22. | GEETHU JAMES | SRI SAI RAM ENGINEERING COLLEGE |
| 23. | GIRIJAPATI SHARMA | SRI SAI RAM ENGINEERING COLLEGE |
| 24. | GUDAVALLI VIJAYA KRISHNA | SRI SAI RAM ENGINEERING COLLEGE |
| 25. | HEMANT B WAGH | SRI SAI RAM ENGINEERING COLLEGE |
| 26. | HIMANSHU DIXIT | G.K.M. COLLEGE OF ENGINEERING AND |

| | | |
|-----|----------------------------|--|
| | | TECHNOLOGY |
| 27. | HITESH SINGH RANA | G.K.M. COLLEGE OF ENGINEERING AND TECHNOLOGY |
| 28. | JANAKKUMAR B PATEL | G.K.M. COLLEGE OF ENGINEERING AND TECHNOLOGY |
| 29. | JASVEER SINGH | G.K.M. COLLEGE OF ENGINEERING AND TECHNOLOGY |
| 30. | JOGESWARA SABAT | CHENNAI INSTITUTE OF TECHNOLOGY |
| 31. | JYOSTNA BOYA | CHENNAI INSTITUTE OF TECHNOLOGY |
| 32. | K HEMANTH KUMAR | MADHA ENGINEERING COLLEGE |
| 33. | PARDEEP KUMAR SAINI | MADHA ENGINEERING COLLEGE |
| 34. | PARMANAND ASHOK PAWAR | CHENNAI INSTITUTE OF TECHNOLOGY |
| 35. | POLU VEERARAGHAVA REDDY | VELAMMAL ENGINEERING COLLEGE |
| 36. | PRANAV RAWAT | VELAMMAL ENGINEERING COLLEGE |
| 37. | PREETI SAHU | VELAMMAL ENGINEERING COLLEGE |
| 38. | PRIYANKA SHARMA | VELAMMAL ENGINEERING COLLEGE |
| 39. | S.VIVEKANANDAN | VELAMMAL ENGINEERING COLLEGE |
| 40. | SADAF QASIM | VELAMMAL ENGINEERING COLLEGE |
| 41. | SAHIL MEHTA | MOHAMED SATHAK AJ COLLEGE OF ENGINEERING |
| 42. | SAMADHAN KASHINATH MAHAJAN | MOHAMED SATHAK AJ COLLEGE OF ENGINEERING |
| 43. | SANGEETA KOTECHA | MOHAMED SATHAK AJ COLLEGE OF ENGINEERING |
| 44. | SANJEEB LIMBU | MOHAMED SATHAK AJ COLLEGE OF ENGINEERING |
| 45. | SANTHANA KRISHNAN.P.L | MOHAMED SATHAK AJ COLLEGE OF ENGINEERING |
| 46. | SAURABH RAJOUR | JERUSALEM COLLEGE OF ENGINEERING |
| 47. | SHIVAM GUPTA | JERUSALEM COLLEGE OF ENGINEERING |
| 48. | SHRENIK SURESH SARADE | JERUSALEM COLLEGE OF ENGINEERING |
| 49. | SHRI NIVAS | JERUSALEM COLLEGE OF ENGINEERING |
| 50. | SIVA SUBRAMANIAN P | JERUSALEM COLLEGE OF ENGINEERING |



Bharath

INSTITUTE OF HIGHER EDUCATION AND RESEARCH

(Declared as Deemed-to-be University under section 3 of UGC Act, 1956)
(Vide Notification No. F.9-5/2000 - U.3, Ministry of Human Resource Development, Gov. of India, dated 4th July 2002)



Phone : 044-22290742 / 22290125 . Telefax : 044-22293886
Website : www.bharathuniv.ac.in

173, Agaram Road, Selaiyur, Tambaram,
Chennai - 600 073. Tamil Nadu.

Name: *A. Bhuvaneshwari*
Designation:
College: *SRR Engineering College*
Name of the Programme:

Feedback Form

1. What is your opinion about the duration of this programme?

A. Short B. Adequate *C. Long*

2. Overall, how useful was this programme for you?

A. Very Much *B. To some extent* C. Not Useful

3. How would you rate the teaching Qualities?

A. Very Good *B. Good* C. Average D. Poor

4. How would you rate the materials provided?

A. Very Good *B. Good* C. Average D. Poor

5. How much of Knowledge you have earned today?

A. A lot of it *B. Satisfactory* C. None of it

6. Did it fulfill your expectation?

A. Yes *B. Some Extent* C. No

7. Planning of this Programme?

A. Excellent B. Very Good C. Good D. Satisfactory E. Poor

8. Any other comment (if any)

Very Good

Bhuvaneshwari
Participant Signature



Bharath

INSTITUTE OF HIGHER EDUCATION AND RESEARCH

(Declared as Deemed-to-be University under section 3 of UGC Act, 1956)
(Vide Notification No. F.9-5/2000 - U.3, Ministry of Human Resource Development, Govt. of India, dated 4th July 2002)



Phone : 044-22290742 / 22290125 . Telefax : 044-22293886
Website : www.bharathuniv.ac.in

173, Agaram Road Selaiyur, Tambaram,
Chennai - 600 073. Tamil Nadu.

Name: *Creetha James*

Designation:

College: *Sri SAI Ram Engineering college*

Name of the Programme:

Feedback Form

1. What is your opinion about the duration of this programme?

A. Short B. Adequate C. Long

2. Overall, how useful was this programme for you?

A. Very Much B. To some extent C. Not Useful

3. How would you rate the teaching Qualities?

A. Very Good B. Good C. Average D. Poor

4. How would you rate the materials provided?

A. Very Good B. Good C. Average D. Poor

5. How much of Knowledge you have earned today?

A. A lot of it B. Satisfactory C. None of it

6. Did it fulfill your expectation?

A. Yes B. Some Extent C. No

7. Planning of this Programme?

A. Excellent B. Very Good C. Good D. Satisfactory E. Poor

8. Any other comment (if any)

very broad

Creetha James
Participant Signature